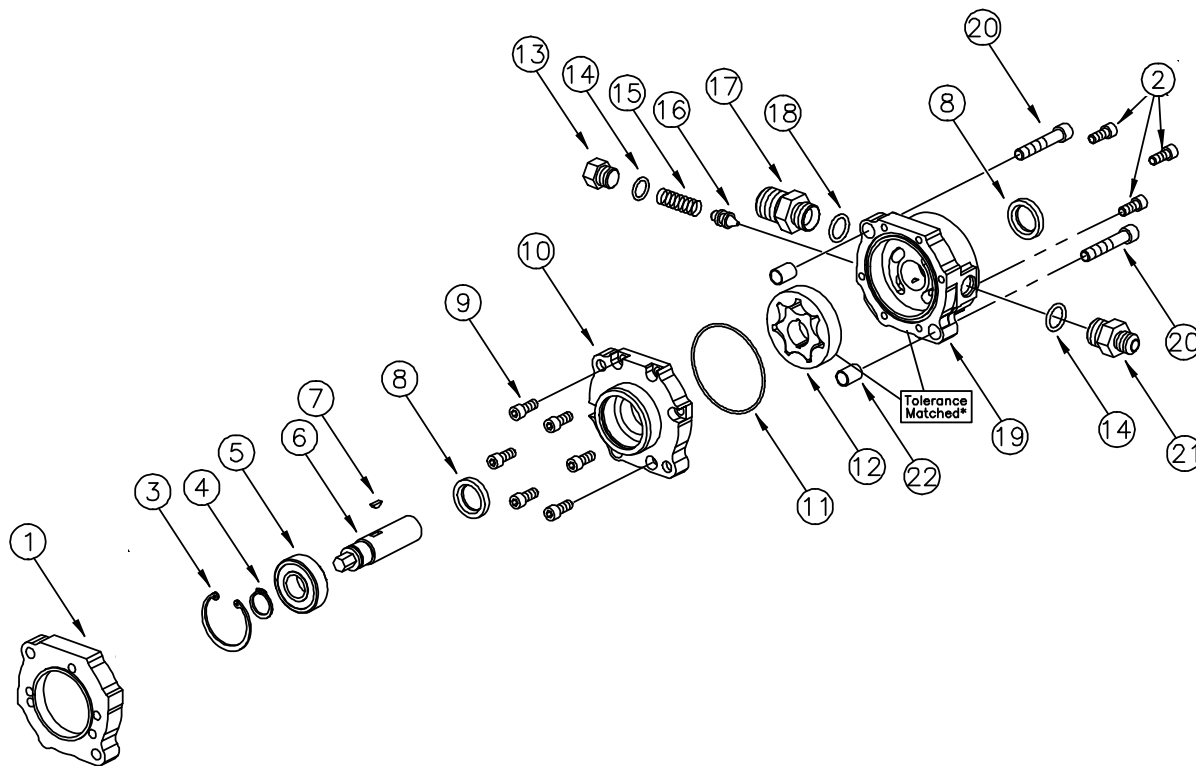


Technical Information

KSC1068-002 HPD Power Steering Pump



ITEM	DESCRIPTION.....	PART#
1.	PUMP MOUNTING ADAPTOR.....	KSC 1067
2.	1/4 20 X 5/8 SHCS MOUNTING BOLTS (3 REQ).....	KSM 1003-062
3.	SHAFT & BEARING RETAINING RING.....	KSM 1026-156
4.	DRIVE SHAFT BEARING RETAINING RING.....	KSM 1027-066
5.	DRIVE SHAFT BALL BEARING.....	KSM 1039
6.	3/8" HEX DRIVE SHAFT.....	KSC 1027
7.	PUMP WOODRUFF KEY.....	KSM 1030-213
8.	SHAFT SEAL (2 REQ).....	KSM 1110
9.	1/4 20 X 5/8 SHCS (6 REQ).....	KSM 1003-062
10.	H.P.D. BEARING SECTION.....	KSC 1064
11.	BEARING SECTION O'RING.....	KSM 1020-037
12.*	GEROTOR PUMPING ASSEMBLY.....	KSM 1023-500
13.	RELIEF VALVE CAP.....	KSC 1066
14.	#6 O'RING (2 REQ).....	KSM 1021-908
15.	RELIEF VALVE SPRING.....	KSC 1023
16.	RELIEF VALVE POPPET.....	KSC 1031
17.	INLET FITTING #10 ORB - #10 JIC.....	KSM 1073
18.	#10 O'RING.....	KSM 1021-910
19.*	H.P.D. DOUBLE ENDED PUMP BODY.....	KSC 1065
20.	5/16 18 X 1 3/4" SHCS MTG BOLT (2 REQ).....	KSM 1005-200
21.	PRESSURE FITTING #6 ORB - #6 JIC.....	KSM 1016
22.	HOLLOW DOWELL (2 REQ).....	KSC 1033-060

*These items are tolerance matched and are recommended to be purchased as a set.

Pump Rebuild / Seal Kit (Includes #5, #7, #8, #11).....KSC1069B

"Black Series" HPD Power Steering Pump - Contact Us For Parts Ordering Details

STEERING GEARS

TANDEM PUMPS

FUEL PUMPS

POWER STEERING PUMPS

ACCESSORIES & FLUIDS

WATER PUMPS FRONT COVERS

SERVICE

TECHNICAL INFO