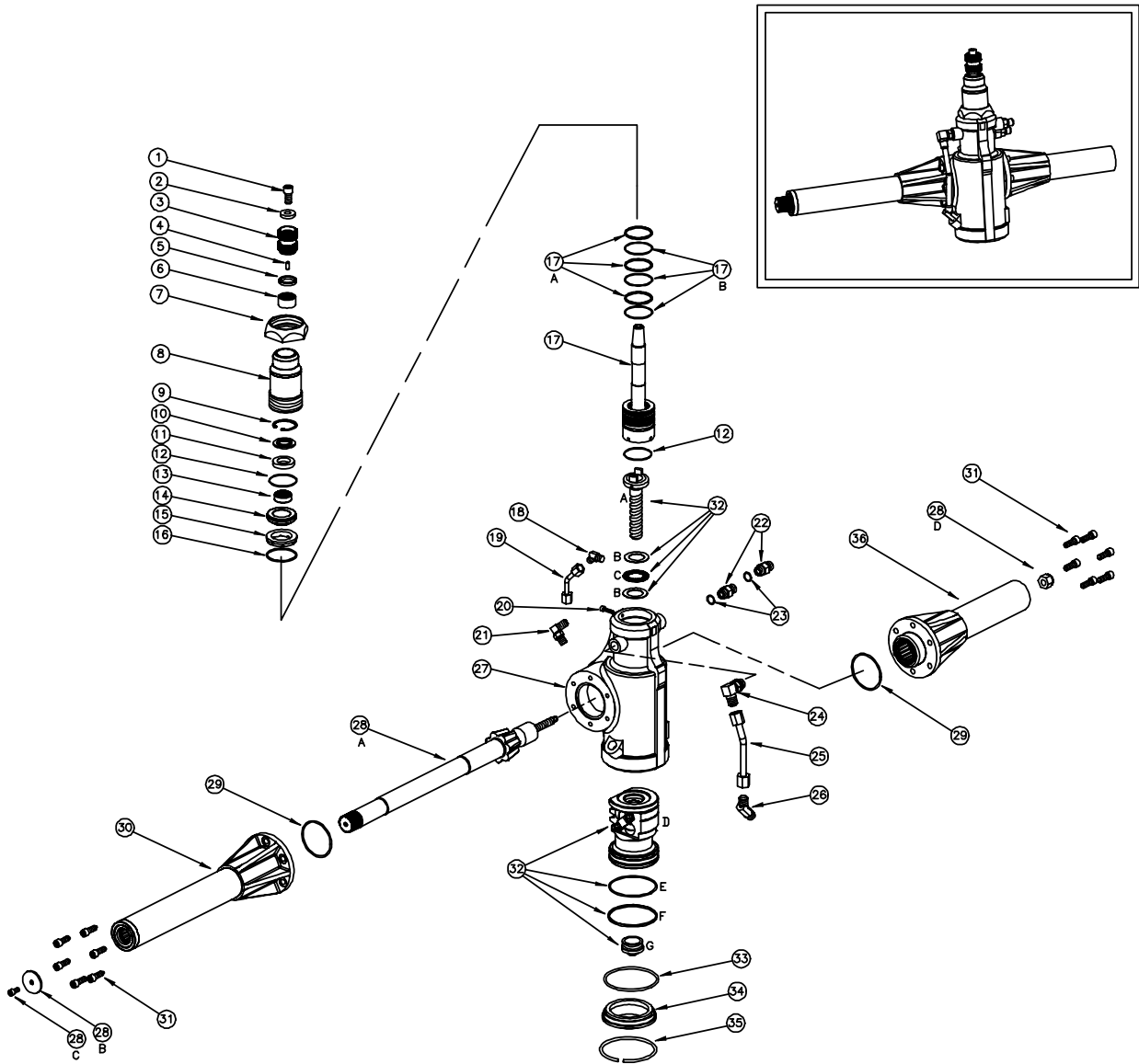


# Technical Information

**KSG10-XXXXX Standard Steering Gear Assembly (Left Side)**  
(Discontinued)

**KSG11-XXXXX Standard Steering Gear Assembly (Right Side)**  
(Differs from illustration; call for right-side gear parts)



# Technical Information

| ITEM | DESCRIPTION  | PART#           |
|------|--|-----------------|
| 1.   | 3/8-24 UNF SHCS                                    | KSM 1057-075    |
| 2.   | HARDENED FLAT WASHER                               | KSM 1097-375    |
| 3.   | QUICK RELEASE ADAPTER (SPLINED)                    | KSG 1025        |
| 4.   | PIN DRIVE HUB                                      | KSM 1056        |
| 5.   | INPUT LIP SEAL                                     | KSM 1063        |
| 6.   | NEEDLE BEARING (7/8")                              | KSM 1062        |
| 7.   | INPUT JAM NUT                                      | KSG 1059        |
| 8.   | INPUT TUBE / COLLAR (10" OR 11")*                  | KSG 1055-XXX    |
| 9.   | INT. SNAP RING – INPUT TUBE                        | KSM 1026-137    |
| 10.  | INPUT LIP SEAL – THIN                              | KSM 1034        |
| 11.  | INPUT LIP SEAL – THICK                             | KSM 1035        |
| 12.  | BALL SCREW / BC O-RING B/70 (2 REQ)                | KSM 1020-030    |
| 13.  | NEEDLE BEARING – BC                                | KSG 1056        |
| 14.  | BEARING COLLAR                                     | KSM 1042        |
| 15.  | INPUT THRUST BEARING ASSY.                         | KSG 1035        |
| 16.  | INPUT NUT O-RING B/70                              | KSM 1020-133    |
| 17.  | VALVE ASSEMBLY                                     | KSG 005X-2XX*   |
|      | A VALVE TEFLON RINGS (3 REQ)                       | KSG 1042-031    |
|      | B VALVE O-RING B/70 (3 REQ)                        | KSM 1020-031    |
| 18.  | #4 NPT TO #4 JIC - 45° FITTING                     | KSM 1015        |
| 19.  | 1/4" TUBE ASSEMBLY<br>(INCLUDES TUBE, NUT, SLEEVE) | KSG 0016        |
| 20.  | 10-32 UNF SHCS – INPUT NUT LOCK                    | KSM 1002-075    |
| 21.  | 90° ORIFICE FITTING                                | KSG 0018        |
| 22.  | #6 ORB TO #6 JIC STR FITTING (2 REQ)               | KSM 1016B       |
| 23.  | O-RING - TUBE FITTING (2 REQ)                      | KSM 1021-906    |
| 24.  | #6 ORB TO #6 JIC - 90° FITTING                     | KSM 1013        |
| 25.  | 3/8" TUBE ASSEMBLY<br>(INCLUDES TUBE, NUT, SLEEVE) | KSG 0017        |
| 26.  | #6 ORB TO #6 JIC - 45° FITTING                     | KSM 1014        |
| 27.  | CENTER SECTION                                     | KSG 0001L       |
| 28.  | CROSS SHAFT ASSEMBLY (A,B,C,D)                     | KSG 0022-XX**   |
| 29.  | O-RING SIDE HUB B/70 (2 REQ)                       | KSM 1020-141    |
| 30.  | LIVE HUB ASSEMBLY                                  | KSG 0004-XX**   |
| 31.  | 5/16-18 UNC SHCS (12 REQ)                          | KSM 1005-087    |
| 32.  | STANDARD RACK ASSY (A,B,C,D,E,F,G)                 | KSG 0023        |
|      | A BALL SCREW                                       | (N/A)           |
|      | B THRUST WASHER                                    | KSG 1086        |
|      | C THRUST BEARING                                   | KSG 1085        |
|      | D RACK PISTON AND BALLS                            | (N/A)           |
|      | E O-RING   | KSM 1020-149    |
|      | F PISTON RING                                      | KSG 1041-149    |
|      | G RACK PLUG  | KSG 1063        |
| 33.  | O-RING BOTTOM PLATE B/70                           | KSM 1020-236    |
| 34.  | BOTTOM RETAINING PLATE                             | KSG 0028        |
| 35.  | WIRE RETAINER RING – BOT. PLATE                    | KSM 1025        |
| 36.  | DEAD SIDE HUB ASSEMBLY                             | KSG 0008-XXX*** |

SEAL KIT (INCLUDES ITEMS 12, 16, 17A, 17B, 29, 32E, 32F, 33, 35) ..KSG-0032

\* ORDER ACCORDING TO VALVE INPUT SHAFT LENGTH (005X) 0054=10", 0055=11", AND TORSION BAR SIZE (-2XX). SEE GEAR ORDERING INFORMATION. LENGTHS MEASURED FROM GEAR CENTERLINE.

\*\* ORDER ACCORDING TO LENGTH (XX): 14, 16, OR 18 INCH LENGTHS AS MEASURED FROM GEAR CENTERLINE TO END OF SPLINES

\*\*\* ORDER ACCORDING TO DEAD SIDE LENGTH (XXX) 900=9", 105=10.5"

STEERING GEARS

TANDEM PUMPS

FUEL PUMPS

POWER STEERING PUMPS

ACCESSORIES & FLUIDS

WATER PUMPS FRONT COVERS

SERVICE

TECHNICAL INFO